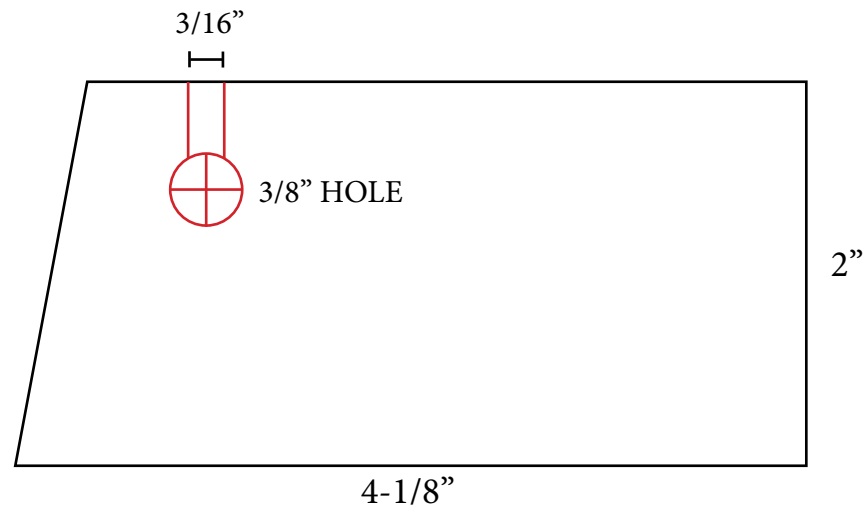


**SWITCH AND GAUGE DRILL TEMPLATE**



- Drill Pilot First.
- Clean surface with alchohol for proper adhesion of sticker back on switch.

*Updated: 8-14-20*

20-F6.2-SWITCH-GAUGE-DRILL-TEMP