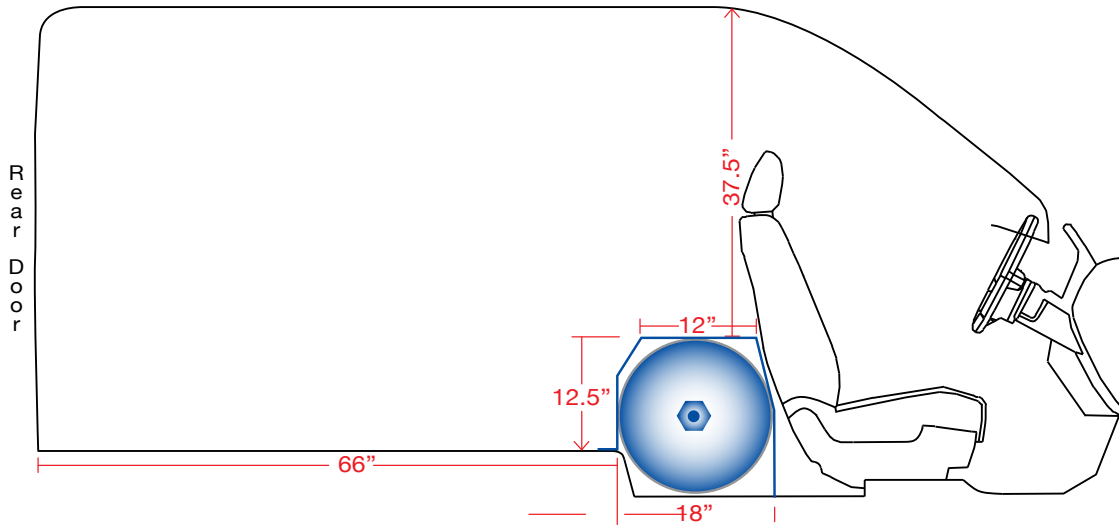


2014-2017 Ford CNG Bi-Fuel Transit Connect Cargo Cylinder Options

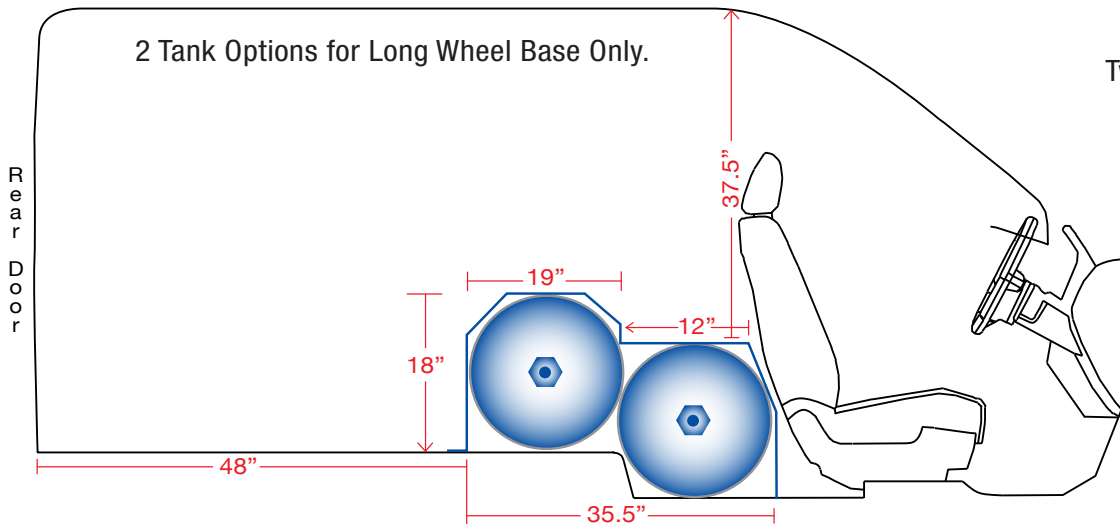
2-PASSENGER CARGO LWB VAN



• **8.2 GGE**
One (1) Type 3

Only One Tank 8.2 gge Option for Short Wheel Base. 8.2 gge tanks take 6-10 weeks to get from manufacturer.

2-PASSENGER CARGO LWB VAN



• **16.4 GGE**
Two (2) 8.2 Type 3

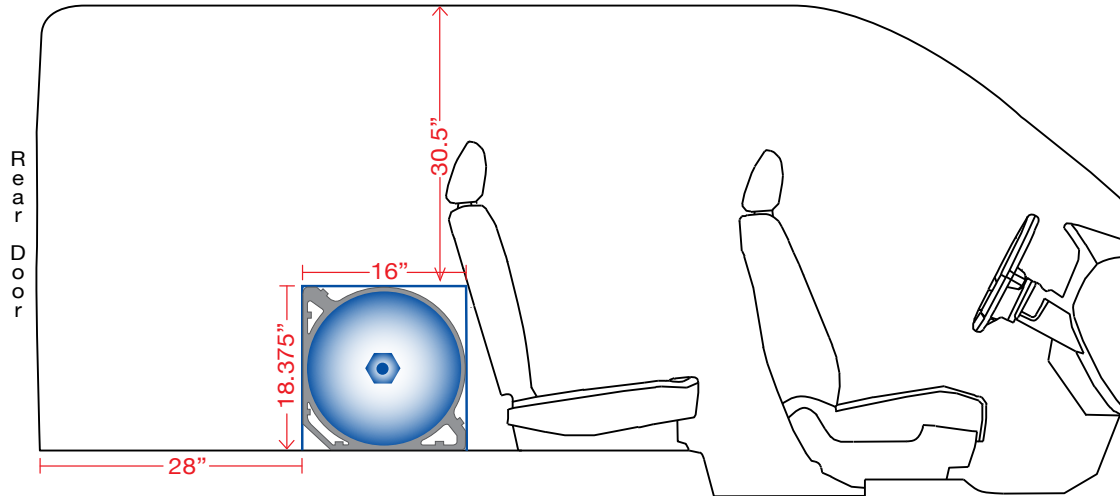
Only One Tank 8.2 gge Option for Short Wheel Base. 8.2 gge tanks take 6-10 weeks to get from manufacturer.



2014-2017 Ford CNG Bi-Fuel Transit Connect Passenger Cylinder Options

Third Row Seat Will Need Removed.

5-PASSENGER LWB WAGON

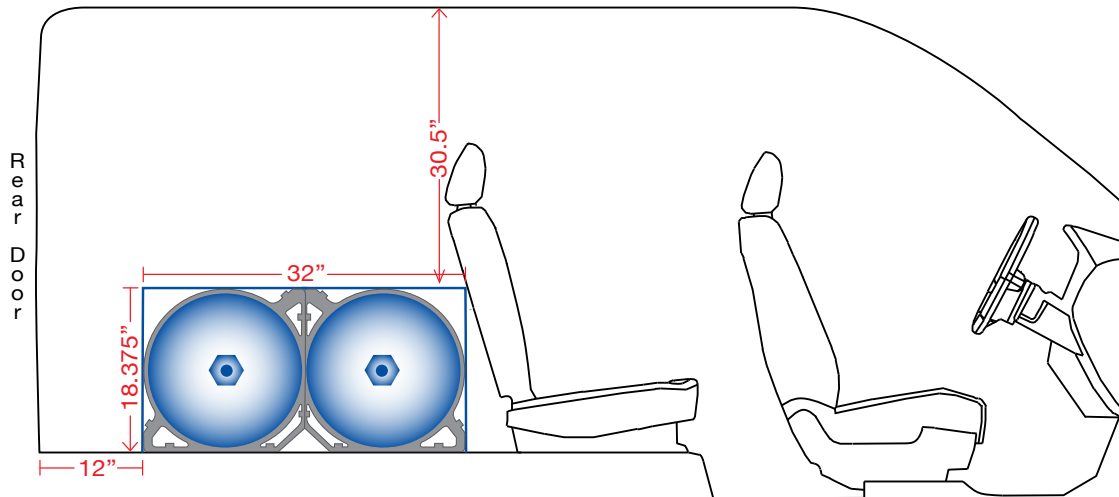


• **8.2 GGE**
One (1) Type 3

Only One Tank 8.2 gge Option for Short Wheel Base. 8.2 gge tanks take 6-10 weeks to get from manufacturer.

Third Row Seat Will Need Removed.

5-PASSENGER LWB WAGON



• **16.4 GGE**
Two (2) 8.2 Type 3

2 Tank Options for Long Wheel Base Only.

Only One Tank 8.2 gge Option for Short Wheel Base. 8.2 gge tanks take 6-10 weeks to get from manufacturer.

